

# INSTALLATION MANUAL

## IMPORTANT SAFETY PRECAUTIONS



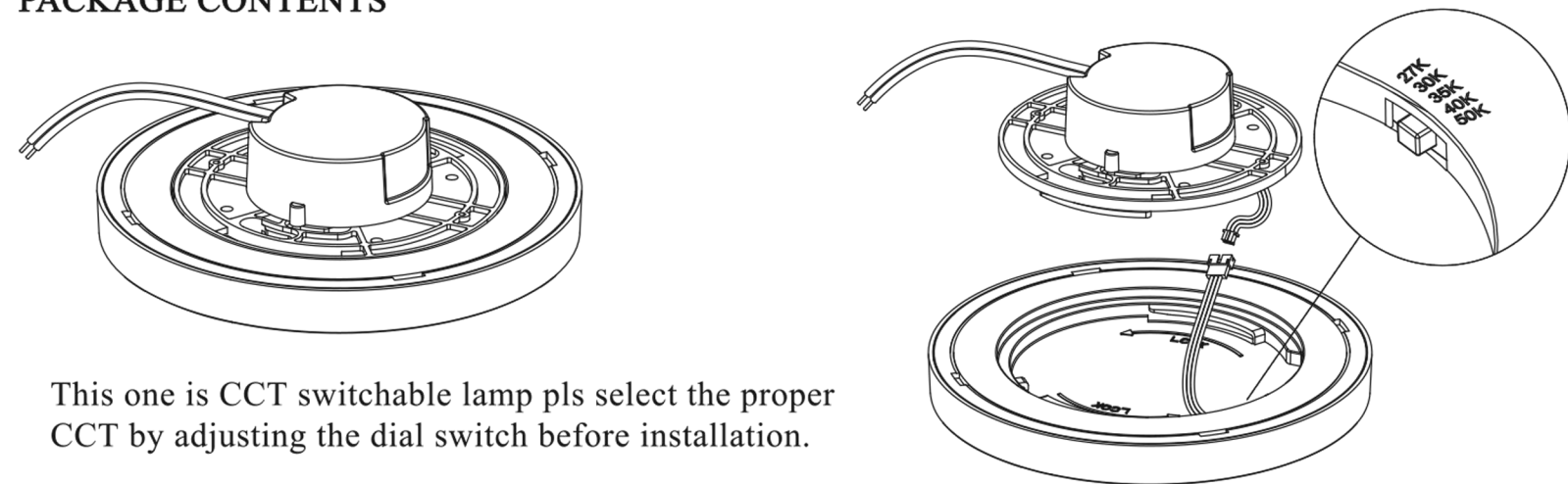
Before you begin, read these instructions completely and carefully.

- Be certain electrical power is OFF before and during installation, maintenance and removal.
- Luminaire wiring must be properly grounded in accordance with the NEC and any applicable local code requirements.
- Use only UL or IEC approved wire for input/output connections.
- Verify that supply voltage matches voltage on luminaire label. Installation to any other connection may void the warranty.
- Wear gloves during installation to prevent injury and do not expose wiring to metal or sharp edges.
- Do not install in areas subject to combustible vapors or gases. Verify luminaire location ratings are suitable for installation environment (refer to specification sheet as needed).
- Do not restrict luminaire's ventilation by covering with material that will cause luminaire to overheat and potentially shorten the lifespan.
- Ensure LED luminaire has the correct polarity before installation.

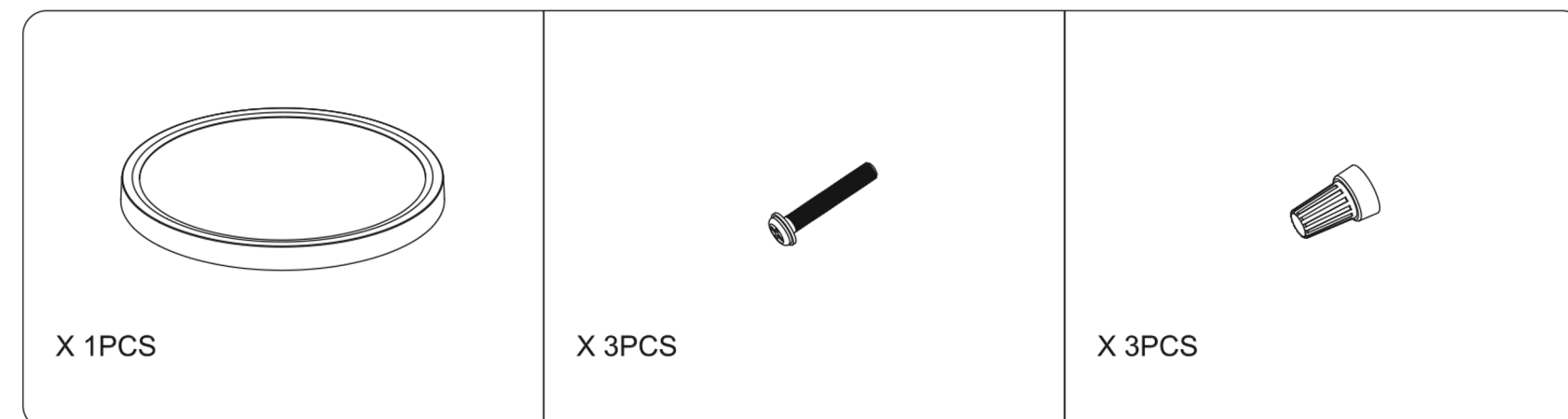


**WARNING:** To reduce the risk of personal injury or property damage from fire, electrical shock, abrasions, burns and all other hazards, read all provided warnings and follow installation instructions. This product should be installed, inspected and maintained by a qualified electrician. Installation of luminaire must be in accordance with NEC and local code requirements.

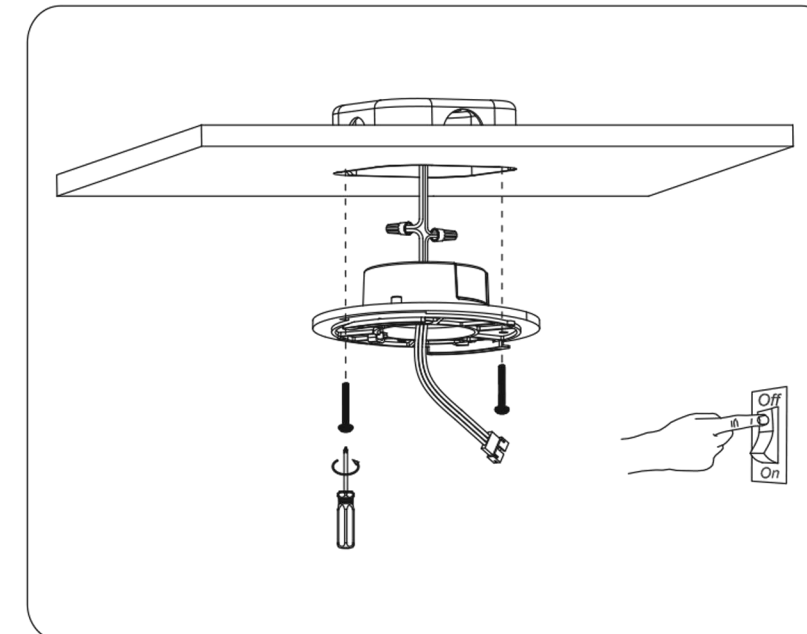
## PACKAGE CONTENTS



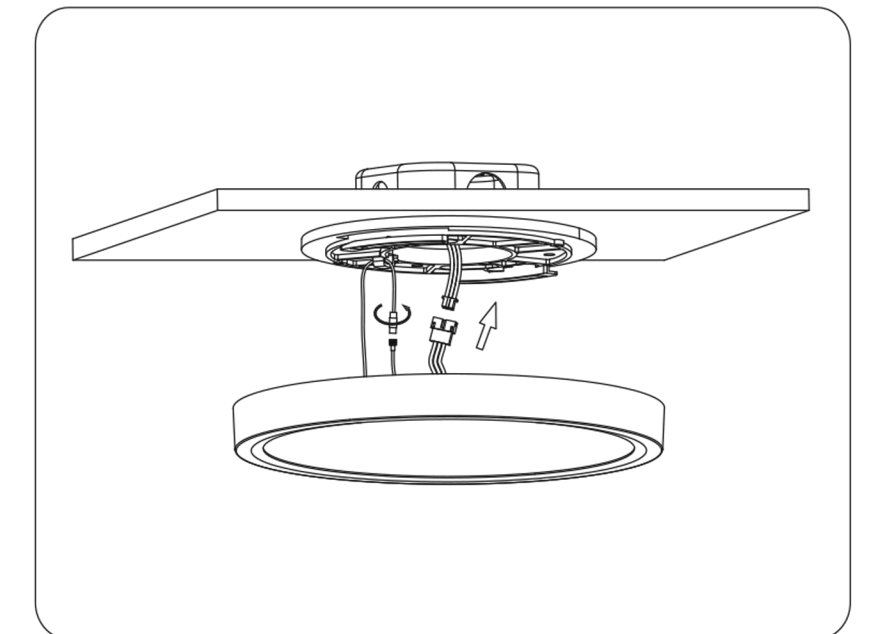
This one is CCT switchable lamp pls select the proper CCT by adjusting the dial switch before installation.



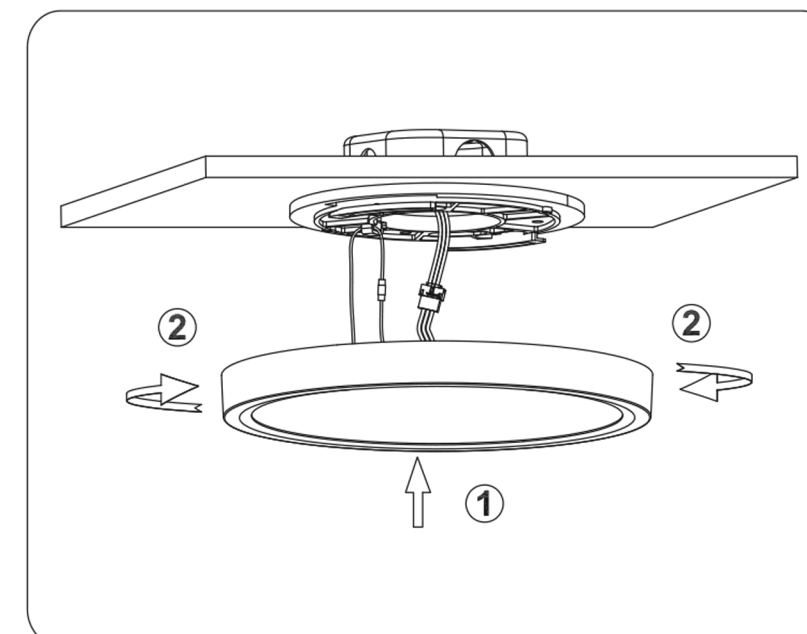
## JUNCTION BOX MOUNTING:CEILING



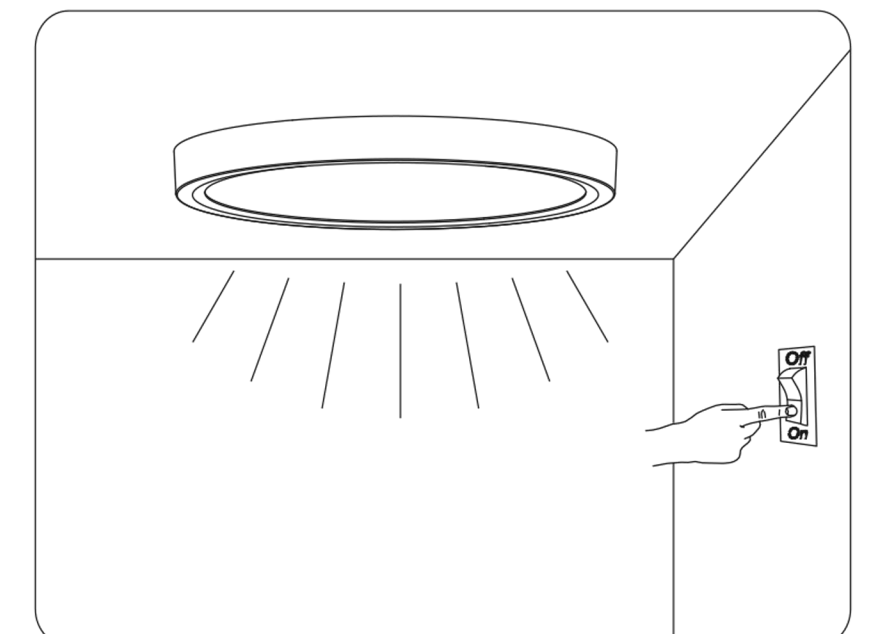
1. Cut off the mains power input. Use the wire nuts to connect the wires from the J-box and the external driver box, and secure the mounting bracket to the ceiling with screws;



2. Connect the lamp input wire and the external power output wire by inserting their terminal into each other, then pass the safety rope through the mounting bracket and tighten the connecting terminal;



3. Place all the wires into the J-box. Align the luminaire's locking slots with the mounting bracket clips, then push the fixture upward toward the ceiling in the direction of the arrow 1 and rotate it in the direction of the arrow 2 until it is fully fixed.



4. With the power on, turn on the switch to ensure the lamp works normally and complete the installation.

