

Project : \_\_\_\_\_  
 Type : \_\_\_\_\_  
 Drawn by : \_\_\_\_\_  
 Catalogue No. : \_\_\_\_\_  
 Date : \_\_\_\_\_



## Specifications

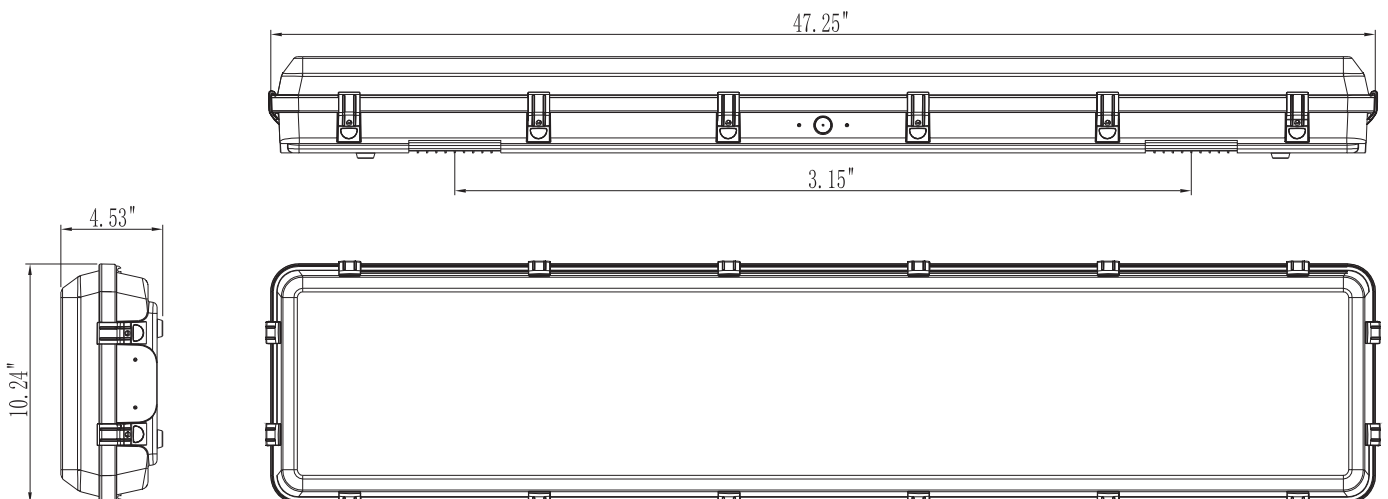
Model No.		TS-TPL8-4FT200W-H-347-TCP(MS)
General	Size	4ft
	Watts	200W/180W/160W
	Sensor	Built-in Sensor
	Lumen	30,000lm/27,000lm/24,000lm
	Base	PC
	CCT	3500K/4000K/5000K Adj
	Volts	120-347V
	CRI	>70
	Beam Angle	120°
	Hours Rated	≥50,000 hours
Electrical	Operating Frequency	50-60Hz
	Power Factor	>0.9
	IP Rating	IP65
	Operating Temperature	-40°F~104°F
	Relative Humidity	10%-90%RH
Physical	Lens Material	PC
	Housing Color	Grey
	Weight(Kg)	6.87
Additional Information	Additional Info	0-10V dimmable
	Rated For Inclosed Fixture	Yes
	Warranty	5 Years
Compliance	Certificates	cETL
	Energy Star	No
	DLC Approved	DLC 6.0 Premium
	DLC ID	Under application

## Features & Specifications

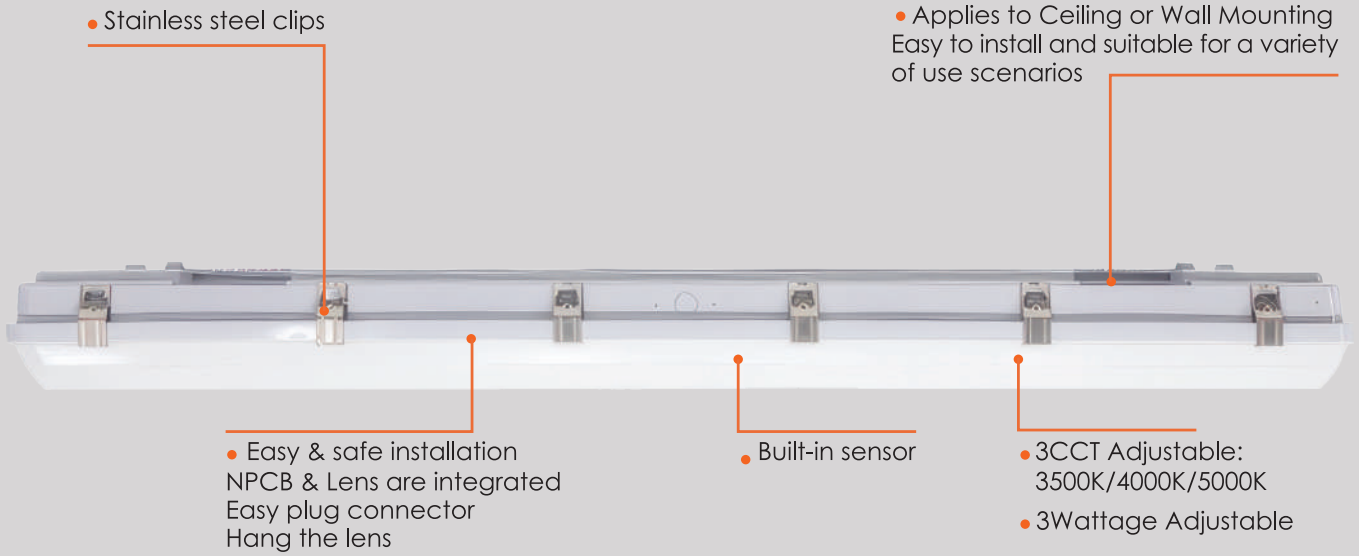
<b>Construction</b>	<ul style="list-style-type: none"> <li>• 3 CCTs and 3 Powers can be adjusted by switching</li> <li>• PC lens+ PC base for materials</li> <li>• Save up to 60% in electricity consumption compared to fluorescent lighting fixture</li> <li>• Easy to install with expansion screws and screws</li> <li>• Built-in sensor</li> <li>• input cable length&gt;0.6m, Sosen driver</li> </ul>
<b>Mounting</b>	<ul style="list-style-type: none"> <li>• Ceiling mounted, Wall mounted</li> </ul>
<b>Performance Data</b>	<ul style="list-style-type: none"> <li>• Electrical ratings: 120-347 V</li> <li>• Operating temperature: -40°C to 40°C(-40°F to 104°F)</li> <li>• 0-10V dimming driver</li> <li>• IP65 LED Module waterproof luminaire</li> <li>• Available in 3500K/4000/5000K selectable color temperature</li> <li>• Estimated life over 50000 hours</li> </ul>
<b>Compliances</b>	<ul style="list-style-type: none"> <li>• DLC 6.0 Premium</li> <li>• cETLus certified for wet locations</li> </ul>

## Dimensions & Weights

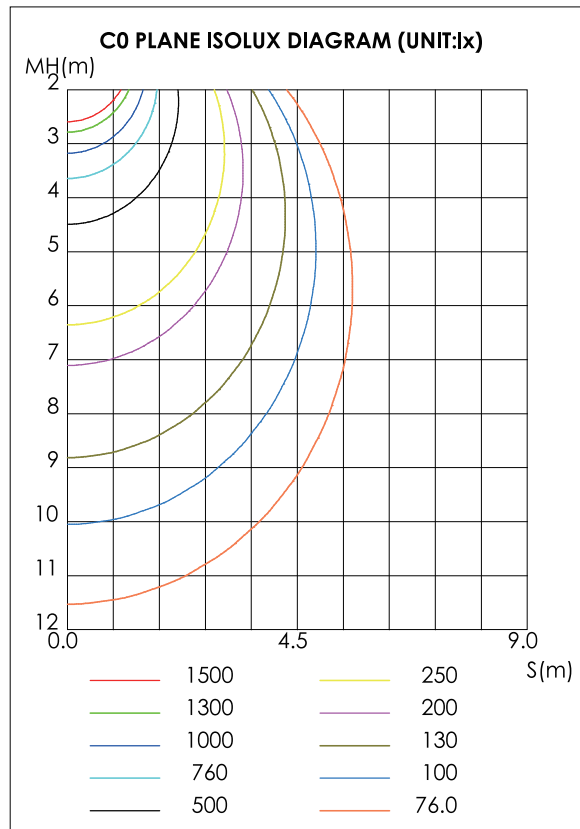
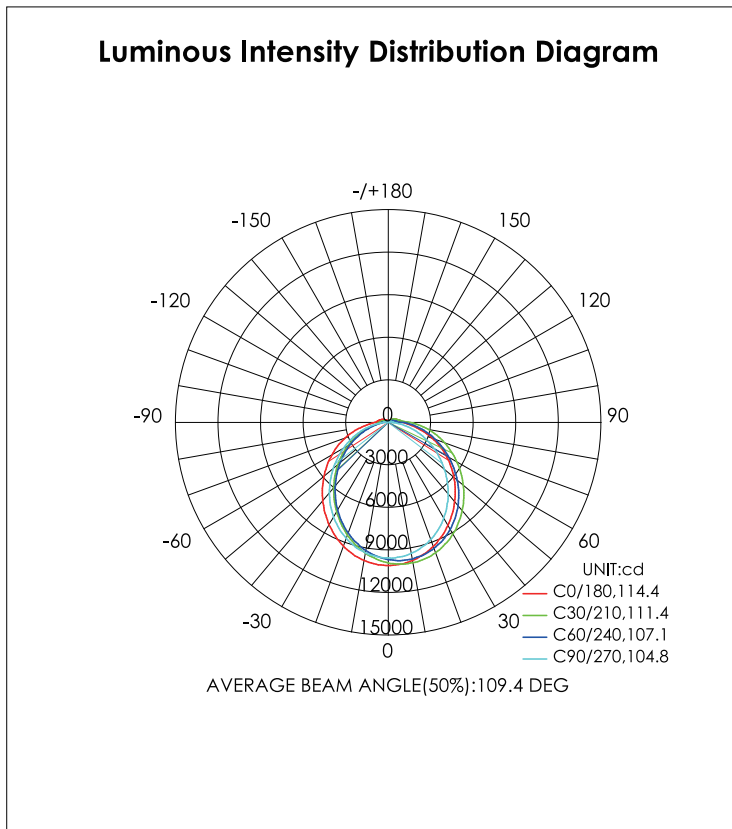
Model No.	4FT
L (inches/mm)	47.25"(1200mm)
W (inches/mm)	10.24"(260mm)
H (inches/mm)	4.53"(115mm)
Weights (kg/lbs)	6.87kg/15.15lbs



### Product Details



### Light Distribution Testing Parameters

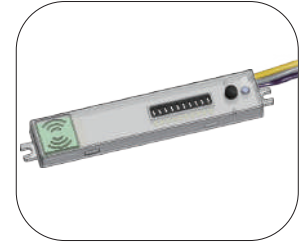


### Occupancy Sensor

Part Number	Position	Volt (V)	Technology	Height (Ft)	Detection Area (%)	Time setting (Min)	Light control (Lux)	IP rating	Temperature (°C)
ANT-7	built-in	12-24V DC	Microwave	12FT Max	Max 17FT (5.2m)	10s/1min/5min/15min	10lux/30lux/50lux /disable	IP20	-40°C to 70°C (-40°F to 158°F)

Note  
The motion detector can turn on the light based on movement. With this detector built in, light is automatically on when needed and dimmed to preset level before it is totally off.

Pre-set:  
Detection range: 100%  
Hold time: 10 seconds  
Stand-by period: 15 min  
Daylight sensor: Disable  
Stand-by dimming: 10%



Built-in Sensor

### Accessories

Order Code	Compatible with	Order Option
RC-100 (Remote Control)	TS-TPL8-4FT200W-H -347-TCP (MS)	Order Separately
ANT-7 (Accessories bag)		Included



Remote Control



Accessory bag

### Lumen Details

Model No.	Watts (w)	3500K		4000K		5000K	
		Lumen Output (LM)	Efficiency (LM/W)	Lumen Output (LM)	Efficiency (LM/W)	Lumen Output (LM)	Efficiency (LM/W)
TS-TPL8-4FT200W-H-347-TCP (MS)	160W	24,763lm	156.46 lm/W	26,038 lm	171.22 lm/W	25,254 lm	159.02 lm/W
	180W	27,517 lm	154.75 lm/W	28,864 lm	169.7 lm/W	28,016 lm	156.9 lm/W
	200W	29,570.8 lm	157.92 lm/W	31,006.4 lm	167.27 lm/W	29,142 lm	154.48 lm/W

Data is based upon tests performed in a controlled environment. Actual performance can vary depending on operating conditions. All products are subject to change or may be discontinued any time without notice. Please contact your Votatec customer service representative to confirm inventory levels at time of order

