

Project : _____
 Type : _____
 Drawn by : _____
 Catalogue No. : _____
 Date : _____



Specifications

Model No.		<input type="checkbox"/> BAG-001
General	Rated Voltage	120V,60Hz
	Circuit Type	Load (Single Pole Circuit)
	Tungsten	1000 Watt
	Ballast	1000 VA
	Electronic Ballast/LED	5 A
	Motor Load	1/4 HP
	Time Delay	5 Secs to 10 Mins
	Installation Method	In-wall
Physical	Application	Indoor
	MOL	4.13in
	MOW	1.77in
	MOH	1.75in
	Material	Plastic+Aluminum
	Housing Color	White
Operating Environment	Weight (Kg)	0.08
	Operating Temperature	0°C(32F) TO 40°C(104F)
Additional Information	Standard	UL773A CSA C22.2 NO. 284-16
	Warranty	2 years
Compliance	Safety Listing	cUL-Listed
	Energy Star	No
	DLC Approved	No

Features & Specifications

Construction

- Segmented Fresnel lens provides optimum sensitivity and performance
- Features a large paddle switch for easily lights on/off control and smooth vertical slider for full range dimming

Features

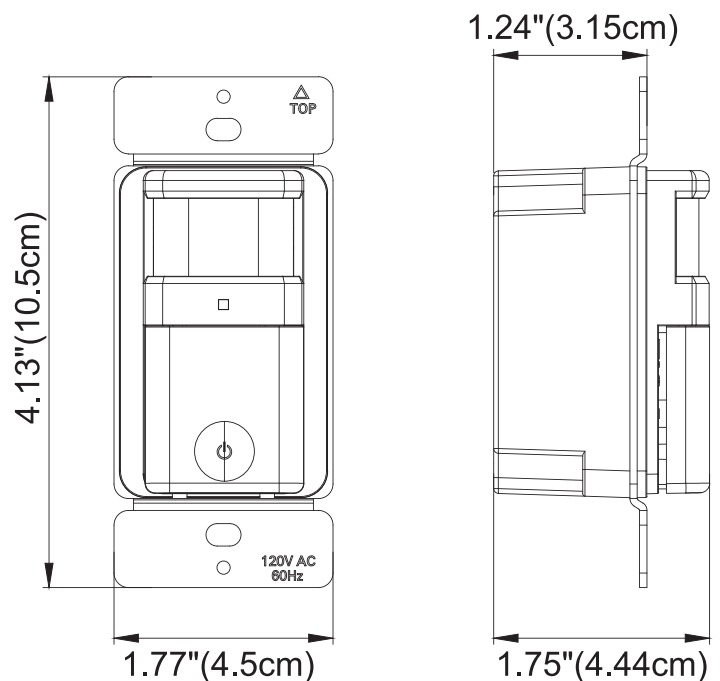
- Two operation modes: Provide Occupancy sensor mode (Auto ON, Auto OFF) and vacancy sensor mode (Manual ON, Manual OFF)
- Equipped with three adjustable controls: sensor sensitivity (SENS), ambient light level (LUX), and time delay ranging from 5 seconds to 10 minutes
- Supports both Auto and Manual operating modes with automatic ON/OFF functionality based on motion detection in low light conditions
- Provides a wide 180° detection coverage and requires an unobstructed field of view for optimal sensor performance
- Passive Infrared (PIR) sensor detects motion with 180° field of view
- Push button switch turn the lights ON/OFF
- It can be adjusted from 5Secs to 10Mins
- Compatible with most switch panels
- Neutrall wire required

Compliances

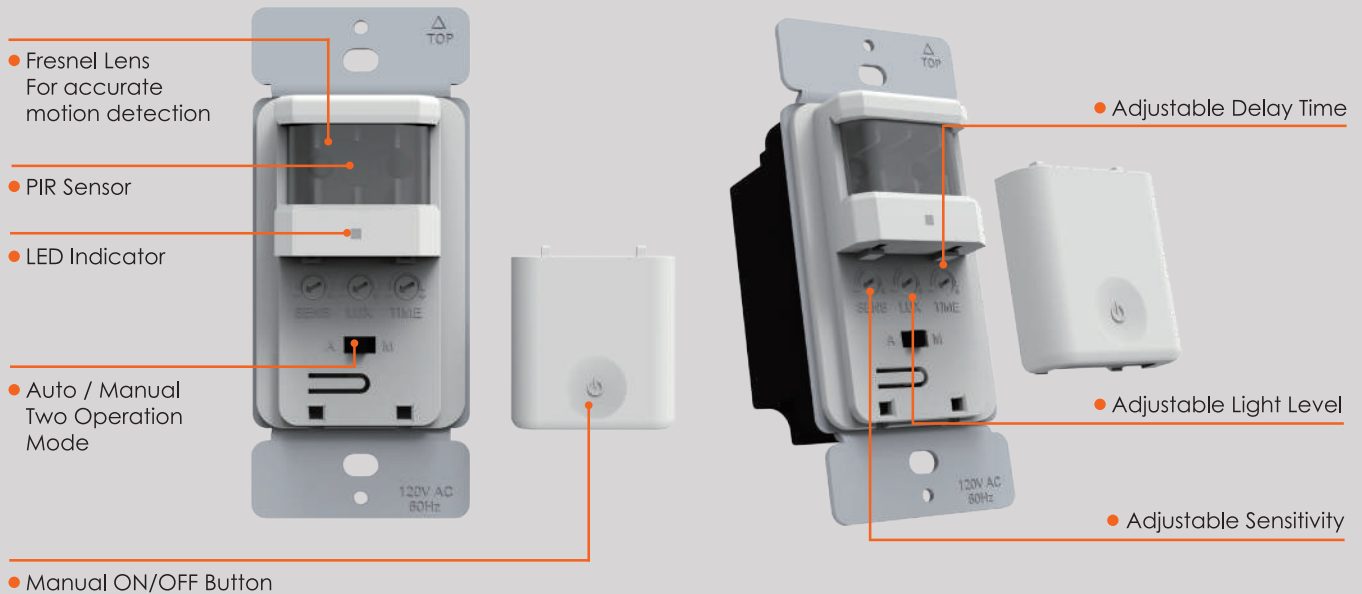
- cUL certified

Dimensions & Weights

Model	BAG-001
Length in.(cm)	4.13 (10.5)
Width in. (cm)	1.77 (4.5)
Height in. (cm)	1.75 (4.44)
Net weight (lbs)	0.08



Product Details



Typical Wiring Application

Turn off power at circuit breaker or fuse and test that power is off before wiring.

Install according to the wiring diagram above.

Carefully position all wires inside the wall-box, leaving enough space to insert the sensor. Secure the sensor with the provided mounting screws.

