



Innovation & Quality

www.votatec.ca

VAPORTIGHT INSTALLATION INSTRUCTIONS

IMPORTANT SAFETY PRECAUTIONS

When using electrical equipment, it is crucial to follow these safety guidelines:

FOLLOW THESE SAFETY INSTRUCTIONS CAREFULLY

- WARNING:** There is a risk of fire or electric shock. Always switch off power at the circuit breaker or remove the fuse before installation or servicing. Verify that the power is completely off before handling the fixture.
- This lighting fixture must be installed in accordance with local electrical codes and industry regulations. If you are not familiar with these standards, consult a licensed electrician.
- WARNING:** Ensure the fixture is grounded properly to prevent the risk of electrical hazards.
- WARNING:** Wear protective gloves when handling metal parts, as sharp edges could cause injury.
- CAUTION:** Only connect the fixture to a 120/277V or 120-347V 50/60Hz power source. Using an incompatible voltage will void the product warranty.
- Avoid handling live electrical components with damp hands or operating the fixture in wet, humid, or submerged conditions.
- FOLLOW INSTALLATION AND ASSEMBLY GUIDELINES CAREFULLY

CAUTION

Modifying or altering this equipment without manufacturer approval may result in loss of authorization to operate it.

This device meets the requirements outlined in Part 15 of the FCC regulations and must adhere to the following conditions:

- It must not generate harmful interference.
- It must accept any interference it receives, even if it causes unintended operation.

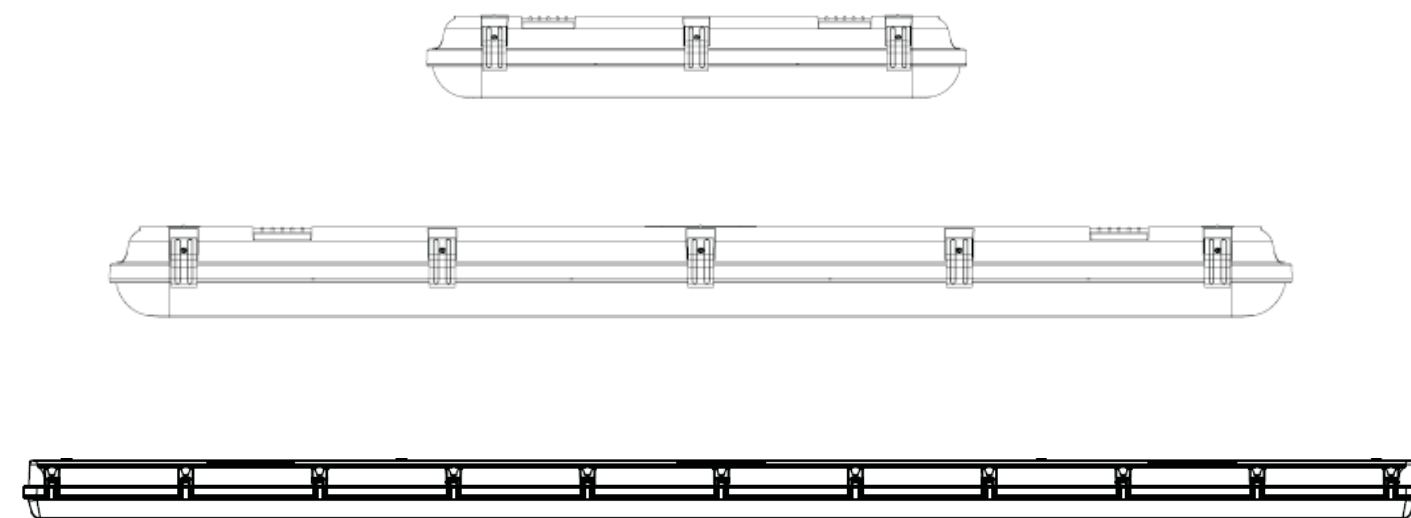
This equipment has been tested and complies with Class A digital device limits as per FCC guidelines. These limits aim to minimize interference risks in commercial settings. However, because this equipment emits and utilizes radio frequency energy, improper installation or use may lead to disruptions in radio communications. There is no guarantee that interference will not occur in specific cases.

If this device causes disruptions to radio or television signals, you can attempt to resolve the issue using the following methods:

- Adjust or reposition the receiving antenna.
- Increase the distance between the equipment and the affected receiver.
- Plug the equipment into a separate electrical circuit from the impacted device.
- Seek assistance from a professional radio or television technician.

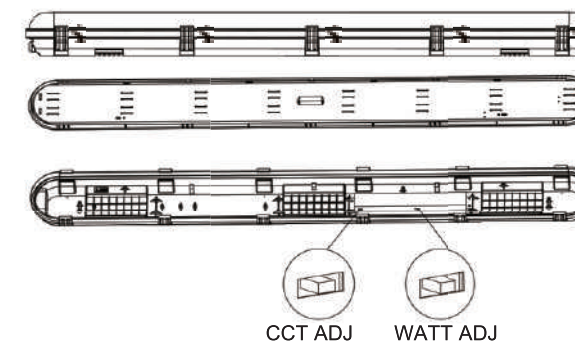
Conforms to standard CAN-ICES 005(A)/NMB-005 (A)

PRODUCT SIZE

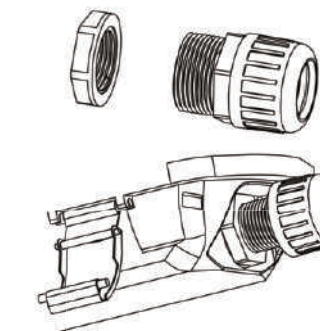


INSTALLATION

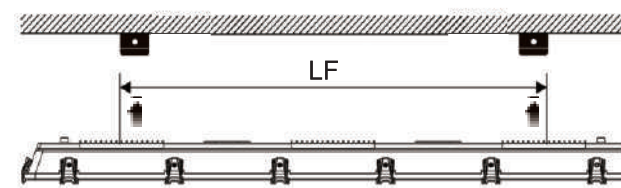
- 1** Release latches by pulling top of latch away from housing. Remove lens cover, then Select CCT and Wattage: 5 CCT, 5 choices wattage.



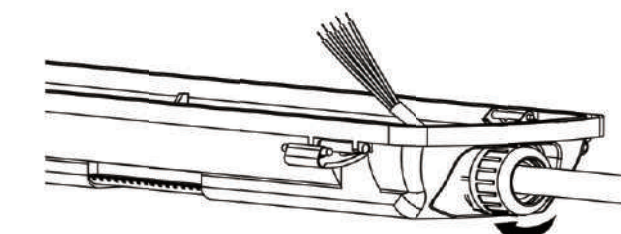
- 2** Installing the cord grip, remove the nut from the end of the cord grip and insert the threaded end into the knock out hole on the end of the fixture body.



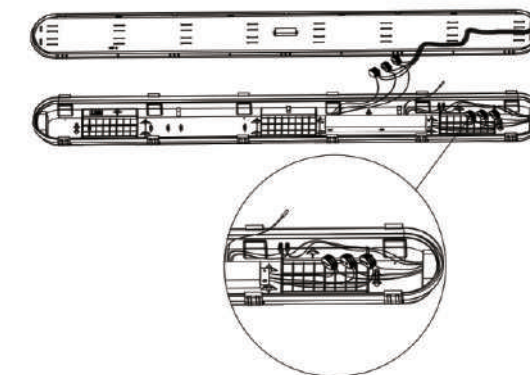
- 3** Secure mounting clips to ceiling using 4 screws and 4 Expansion Bolt. Adjust the luminaire so cord grip faces incoming supply power. Align the recesses in luminaire body with mounting clips and apply gently upward to secure luminaire onto both mounting clips.



- 4** Feed the wires from the electrical source through the cord grip and into the fixture body. Tighten the nut onto the cord grip to secure the wires.



- 5** Wire luminaire per "Electrical Connections" section and push all leads into the Housing.



- 6** Secure lens cover to housing with lens latches.

