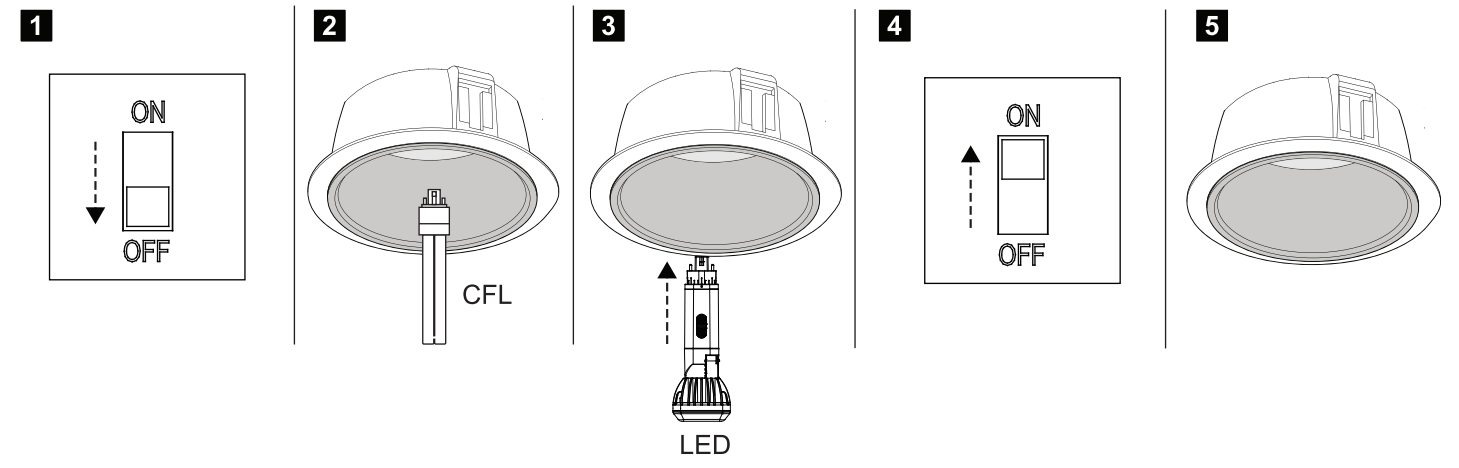
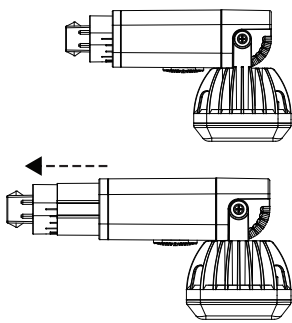


Type A+B installation

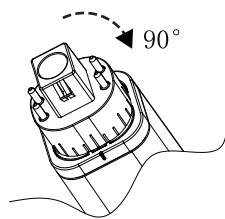
1. Make sure the circuit breaker that supplies power to the fixture is turned off.
2. Remove trim and existing CFL lamp(s) from the recessed fixture.
3. Directly load the LED LAMPS into the housing and take the lamp into G24Q socket.
4. Plug and Turn on the lamp.
5. Please make sure turn off the power when operate the CCT switch.



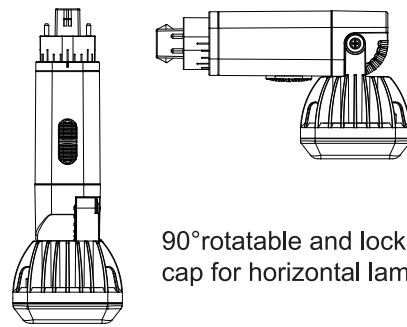
Cap extendable



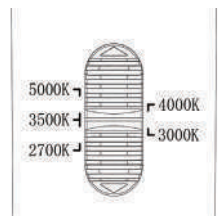
Cap 90° Rotate



Vertical or horizontal installation.



90° rotatable and lockable cap for horizontal lamp



5 Color temperature selectable

Model Number

ANSI Designations of target lamps

LEDPL-9-G24Q-8SC1-HYB

26W/8T4/Q/G24Q-3

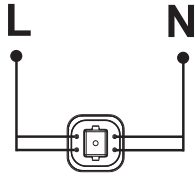
LEDPL-16-G24Q-8SC1-HYB

42W/7T4/M/GX24Q-4

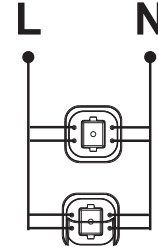
	For 9W & 16W	Only for 9W	MODEL NUMBER	LEDPL-9-G24Q-8SC1-HYB LEDPL-16-G24Q-8SC1-HYB
			DIAMETER	8 INCH / 10 INCH
			HEIGHT	4.5 INCH

		MODEL NUMBER	LEDPL-9-G24Q-8SC1-HYB LEDPL-16-G24Q-8SC1-HYB
		DIAMETER	5 INCH/6 INCH
		HEIGHT	8 INCH

AC 120-277V

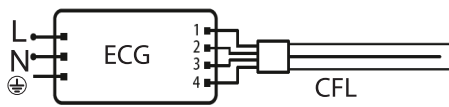


Compatible ECG

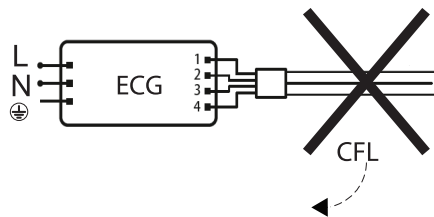


Only for 9W

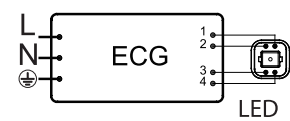
1a



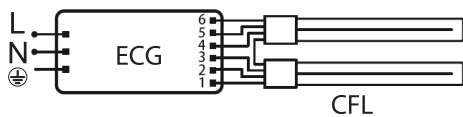
2a



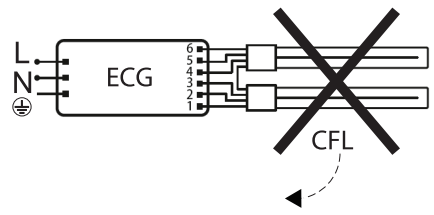
3a



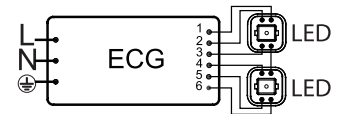
1b



2b



3b



Only for 9W

CAUTION

1. CAUTION – RISK OF FIRE. IF THE LAMP OR LUMINAIRE EXHIBITS UNDESIRABLE OPERATION (BUZZING, FLICKERING, ETC.), IMMEDIATELY TURN OFF POWER, REMOVE LAMP FROM LUMINAIRE AND CONTACT MANUFACTURER.
2. WARNING – RISK OF FIRE OR ELECTRIC SHOCK. THIS PRODUCT MUST BE INSTALLED IN ACCORDANCE WITH THE APPLICABLE INSTALLATION CODE BY A PERSON FAMILIAR WITH THE CONSTRUCTION AND OPERATION OF THE PRODUCT AND THE HAZARDS INVOLVED.
3. WARNING – RISK OF FIRE OR ELECTRIC SHOCK. INSTALL THIS KIT ONLY IN LUMINAIRES THAT HAVE THE CONSTRUCTION FEATURES AND DIMENSIONS SHOWN IN THE PHOTOGRAPHS AND/OR DRAWINGS.
4. DO NOT MAKE OR ALTER ANY OPEN HOLES IN AN ENCLOSURE OF WIRING OR ELECTRICAL COMPONENTS DURING KIT INSTALLATION.
5. WARNING – TO PREVENT WIRING DAMAGE OR ABRASION, DO NOT EXPOSE WIRING TO EDGES OF SHEET METAL OR OTHER SHARP OBJECTS.
6. INSTALLERS SHOULD NOT DISCONNECT EXISTING WIRES FROM LAMPHOLDER TERMINALS TO MAKE NEW CONNECTIONS AT LAMPHOLDER TERMINALS. INSTEAD INSTALLERS SHOULD CUT EXISTING LAMPHOLDER LEADS AWAY FROM THE LAMPHOLDER AND MAKE NEW ELECTRICAL CONNECTIONS TO LAMPHOLDER LEAD WIRES BY EMPLOYING APPLICABLE CONNECTORS.
7. INSTALLERS SHOULD EXAMINE ALL PARTS THAT ARE NOT INTENDED TO BE REPLACED BY THE RETROFIT KIT FOR DAMAGE AND REPLACE ANY DAMAGED PARTS PRIOR TO INSTALLATION OF THE RETROFIT KIT.
8. WARNING – RISK OF FIRE. INPUT RATINGS MAY NEED TO BE DETERMINED BASED ON ANY CONFIGURATION(S) PERMITTED BY THE INSTALLATION INSTRUCTIONS. REGARDLESS OF THE CONFIGURATION(S) OF THE RETROFIT KIT, THE INPUT RATINGS OF THE OVERALL RETROFIT KIT SHALL NOT EXCEED THE MARKED INPUT RATINGS OF THE HOST LUMINAIRE.
9. SUITABLE FOR DAMP LOCATIONS. SUITABLE FOR OPERATION IN LUMINAIRES WITH AMBIENT NOT EXCEEDING 45°C.
10. PRIOR TO INSTALLATION, REVIEW ALL ENVIRONMENTAL DESIGNATION LOCATIONS IN THE RETROFIT KIT INSTALLATION INSTRUCTIONS. ONLY INSTALL IN DAMP OR WET LOCATIONS IF SO INDICATED IN THE INSTALLATION INSTRUCTIONS.
11. THE RETROFIT KIT IS ACCEPTED AS A COMPONENT OF A LUMINAIRE WHERE THE SUITABILITY OF THE COMBINATION SHALL BE DETERMINED BY AUTHORITIES HAVING JURISDICTION. PRODUCT MUST BE INSTALLED BY A QUALIFIED ELECTRICIAN IN ACCORDANCE WITH THE APPLICABLE AND APPROPRIATE ELECTRICAL CODES. THE INSTALLATION GUIDE DOES NOT SUPERSEDE LOCAL OR NATIONAL REGULATIONS FOR ELECTRICAL INSTALLATIONS.
12. THIS LAMP ONLY OPERATES ON ELECTRONIC BALLASTS. IF LAMP DOES NOT LIGHT WHEN THE LUMINAIRE IS ENERGIZED, REMOVE LAMP FROM LUMINAIRE AND CONTACT LAMP MANUFACTURER OR QUALIFIED ELECTRICIAN.
13. EXAMINE LUMINAIRE FOR DAMAGE BEFORE INSTALLING LED LAMP. IF LAMPHOLDERS OR OTHER PARTS ARE VISIBLY DAMAGED CONTACT A SERVICE PERSON.
14. DO NOT MIX FLUORESCENT AND LED LAMPS IN THE SAME LUMINAIRE UNLESS BALLAST IS MARKED FOR THIS PURPOSE.
15. THIS DEVICE IS NOT INTENDED FOR USE WITH EMERGENCY EXITS.
16. IF INSTALLING THIS LAMP IN A PRE-HEAT LUMINAIRE, REMOVE THE AUTOMATIC STARTERS FROM THEIR HOLDERS BEFORE INSTALLING LAMP.

- This LED PL lamp is compatible with both G24q and GX24q bases.
- Before installation, verify that the existing electronic ballast is included in the approved compatibility list.
- If the ballast is not compatible, bypass/remove it and connect the lamp directly to the mains supply according to the wiring instructions.

Note : This ballast list is provided for guidance when selecting a ballast and lamp combination. Lamps were tested for compatibility with the below listed Ballasts. Ballasts do not appear on the chart might still be compatible but have not been tested.

Number	ECG ID	ECG Module Type	120V		277V	
			1-lamp Compatibility	2-lamp Compatibility	1-lamp Compatibility	2-lamp Compatibility
1	Signify	IZT-2S26-M5-LD	√	√	√	√
2	Signify	IZT-2S26-M5-BS	√	√	√	√
3	Signify	IZT-2T42-M5-BS	√	√	√	√
4	Signify	IZT-2T42-M5-LD	√	√	√	√
5	Signify	ICF-2S42-M2-LD	√	√	√	√
6	Signify	ICF-2S26-H1-LD	√	√	√	√
7	PHILIPS	ICF-2S26-M1-BS-QS	√	√	√	√
8	Signify	ICF-2S18-H1-LD	√	√	√	√
9	Signify	REZ-2T42-M3-LD	√	√	-	-
10	Signify	REZ-2Q26-M2-LD	√	√	-	-
11	PHILIPS	VEZ-1T42-M2-LD	×	-	√	-
12	OSRAM	QTP 2x26CF/UNV DM	√	√	√	√
13	OSRAM	QTP 2X263242CF UNV DM	×	√	√	×
14	OSRAM	QTP 1/2x13CF/UNV DM	√	√	√	√
15	OSRAM	QTP 1/2x18CF/UNV DM	√	√	√	√
16	PROLINE	GEC218-MVPS-3W	√	√	√	√
17	PROLINE	GEC242-MVPS-SE	√	√	√	√
18	PROLINE	GEC242-MVPS-3W	√	√	√	√
19	Halco Lighting Technologies	EP2CF13PS/MV/DC/K	×	√	×	√
20	Halco Lighting Technologies	EP2CF26PS/MV/DC/K	×	×	×	√
21	Halco Lighting Technologies	EP2CF42PS/MV/DC/K	×	×	×	√
22	HatchLighting	HC218PS/UV/D	×	×	×	√
23	HatchLighting	HC242PS/UV/D	×	×	×	√
24	Universal Lighting Technologies	C213UNVME	√	√	√	√
25	Universal Lighting Technologies	C218UNVME	√	√	√	√
26	LUTRON	EC3DT4MWKU2S	-	√	-	√
27	LUTRON	FDB-T426-277-2-S	-	×	-	×
28	FULHAM	RHA-UNV-226-C	×	×	×	×
29	SOLA	E-724-U-226-M1-S	√	√	×	√
30	ARCATA	ACT2S26PSUNV	√	√	√	√
31	ROBERTSONLIGHTING	PSM226CQMVDWCE	√	√	√	√
32	HOWARD INDUSTRIES	EP2/26CF/MV/2	×	√	×	√
33	KEYSTONE	CAT.NO.KTEB-126-1-TP-SC-RJS /HB	√	-	-	-

